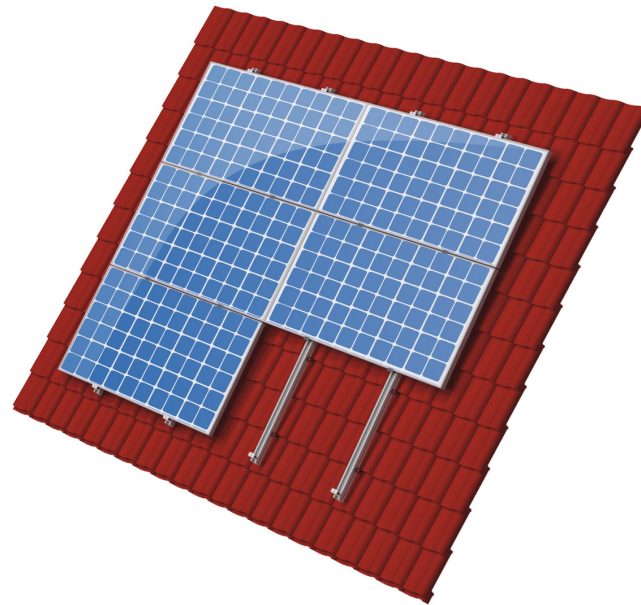


ValkPitched - Clamp

Installation manual

Use in combination with the Project Report of the ValkPVplanner



Van der Valk Solar Systems
Solar Mounting Systems

VAN DER VALK



Please note

- This manual is not project specific.
- This manual is not legally binding.
- No right may be derived from this installation manual.
- Use this manual in combination with the ValkPVplanner project report.
- Check 'Datasheet Cable management' for cable suggestions.

Table of contents

| | |
|---------------------------------------|----------|
| Disclaimer | Page - |
| Mounting the Smartline roof hooks | Page 01 |
| Mounting the Slimline roof hooks | Page 02 |
| Mounting of the Strongline roof hooks | Page 03 |
| Mounting the Hanger bolts | Page 04 |
| Mounting the Side++ profile | Page 05 |
| Mounting the Side++ profile | Page 05B |
| Mounting the Side++ coupling | Page 06 |
| Mounting optional products | Page 07 |
| Mounting end clamps | Page 08 |
| Mounting middle clamps | Page 09 |
| Mounting cable clamp | Page 10 |

Table of contents

ValkPitched - Clamp

Van der Valk Solar Systems
Solar Mounting Systems

VAN DER VALK



Disclaimer

This installation manual must be seen in addition to the project report which shows you specific information about your project like a project drawing and ballast plan for flat roofs.

The project report is a result of the calculation tool, the ValkPVplanner. This online calculation tool and/or the project reports derived from this tool were composed with the greatest possible care. Nonetheless, it is possible that some information might not be entirely correct as the results for each project report can be based on default values, which values always need to be checked by you. The instructions provided in this project report must be observed at all times. All applicable standards and appendixes have been integrated in this online calculation tool.

All current structural, safety and building regulations must be observed. Solar mounting systems installed on roofs will be exposed to wind and snow. The building in question will be subject to a load as a result of the PV system. A design calculation must be used to establish whether or not the building will be able to withstand the extra load. Where necessary, modifications need to be made.

Flat roof systems should either be attached to the roof or need to be supported by ballast, to make sure that the system is unable to be lifted or tipped over. The ballast specified in the ValkPVplanner project report will be vital to ensure that the mounting system can be used. Flat roofs with an angle above 5 degrees must be attached to the roof.

The calculations in the online calculation tool do not take into account obstacles in the near surrounding like high buildings, cliffs and mountains. Restrictions also apply for the position of the system on a roof. The solar panels must be installed at a certain distance from edge of the roof as shown in this project report and the installation manual.

The standard warranty for pitched roof, flat roof and ground mount systems is 10 years, which can be extended under certain conditions. The guarantee provided is subject to the guarantee conditions stated in the general terms and conditions stipulated by Van der Valk Solar Systems B.V. Our terms and conditions shall apply to all our products and can be found on our website: www.valksolarsystems.nl.

Van der Valk Solar Systems B.V. does not accept any liability for any direct and/or indirect consequences of any act (or omission) ensuing from the information in or the failure to observe the instruction provided in the project report and the installation manual and for possible incorrect results resulting from the use of this online calculation tool which was made available to you.

The mounting system is a product that has been produced by:
Van der Valk Solar Systems B.V.,
Registered with the chamber of commerce for
Haaglanden under number 27355116.
Internet: www.valksolarsystems.nl

Issue date: February 2018
Version: General user instructions v2 EN

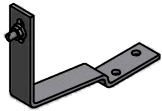
Van der Valk Solar Systems
Solar Mounting Systems





Mounting the Smartline roof hooks

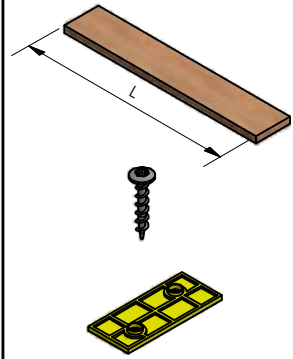
74.78.31 (horizontal profile)
74.78.32 (vertical profile)



75.40 (L [mm])

77.38.40

73.90.03



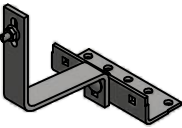
Optional:

See page 2



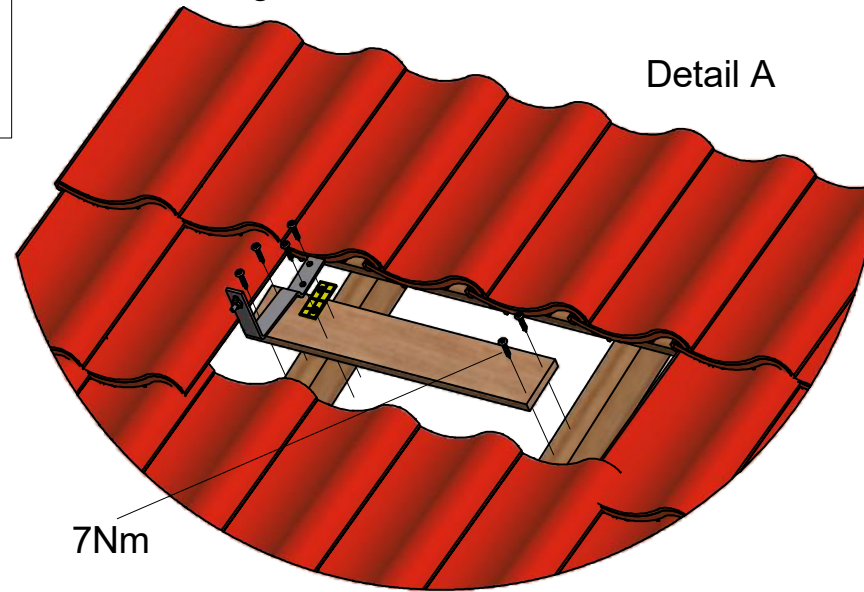
Optional:

See page 3



Optional:

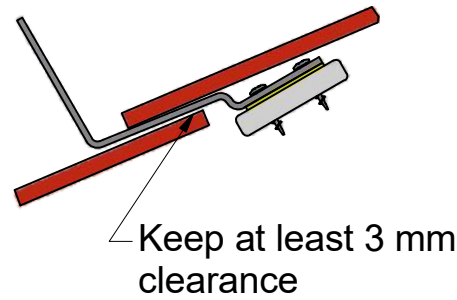
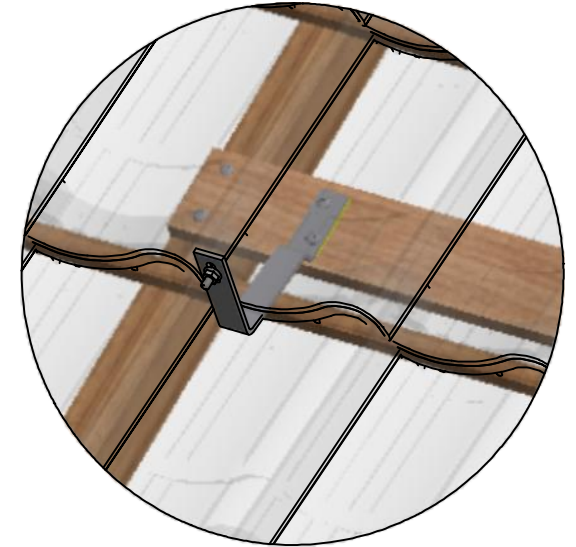
See page 4



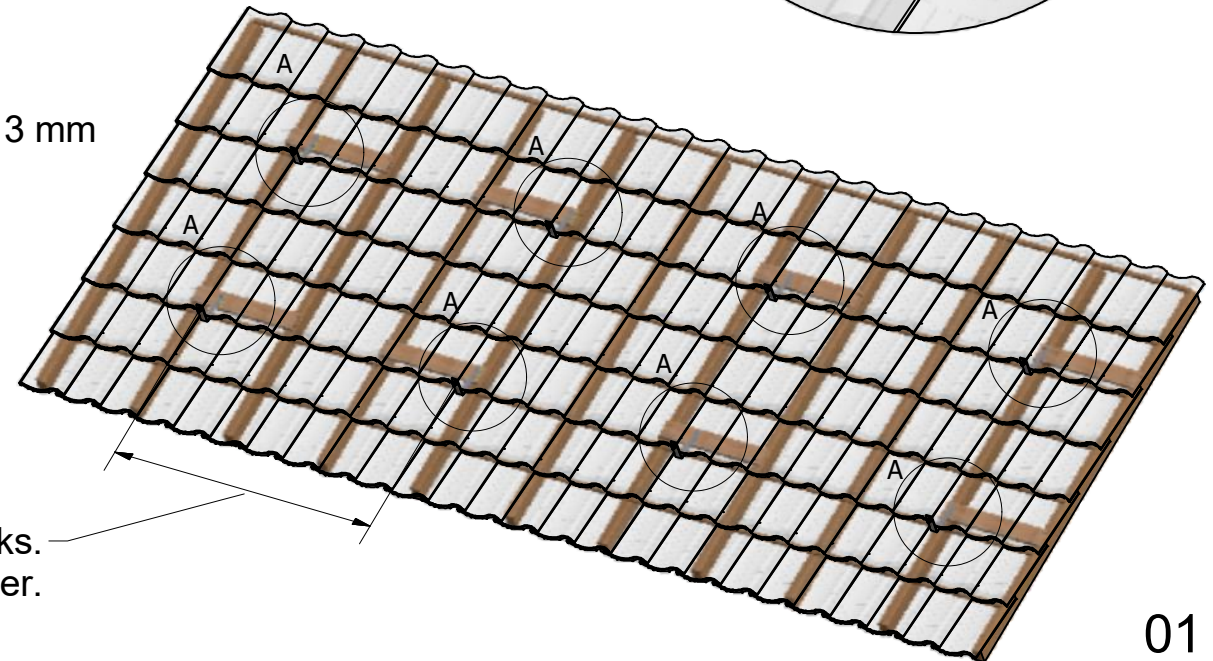
Detail A

7Nm

Detail A



Keep at least 3 mm clearance

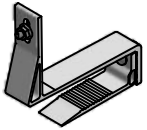


For the distance between roof hooks.
See the Project Report of the ValkPVplanner.

Mounting the Slimline roof hooks

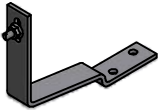


Fixed
72.95.30 (horizontal profile)
72.95.31 (vertical profile)



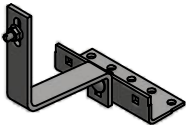
Adjustable
72.95.40 (horizontal profile)
72.95.41 (vertical profile)

Optional:



See page 1

Optional:



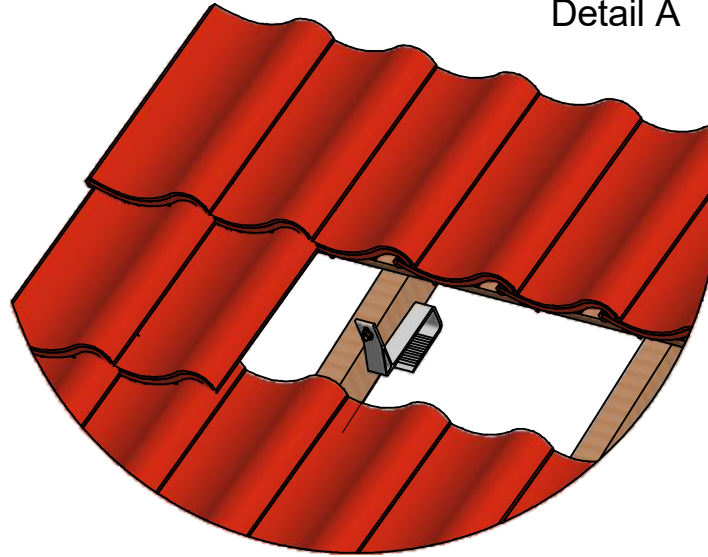
See page 3

Optional:

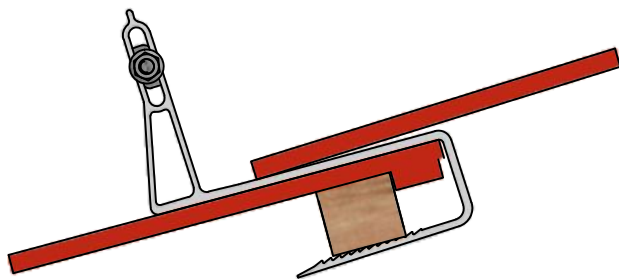
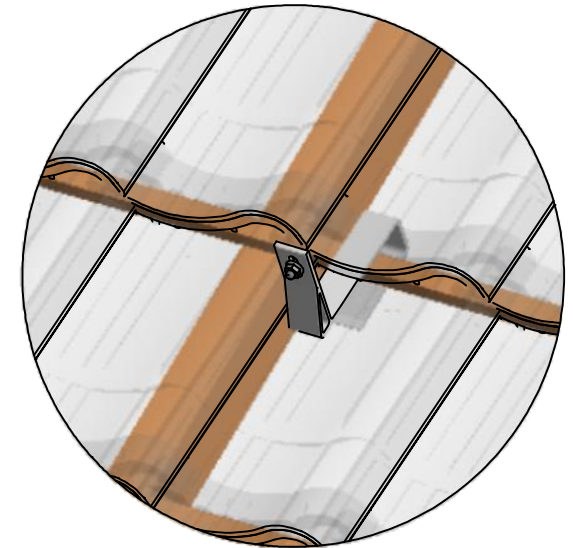


See page 4

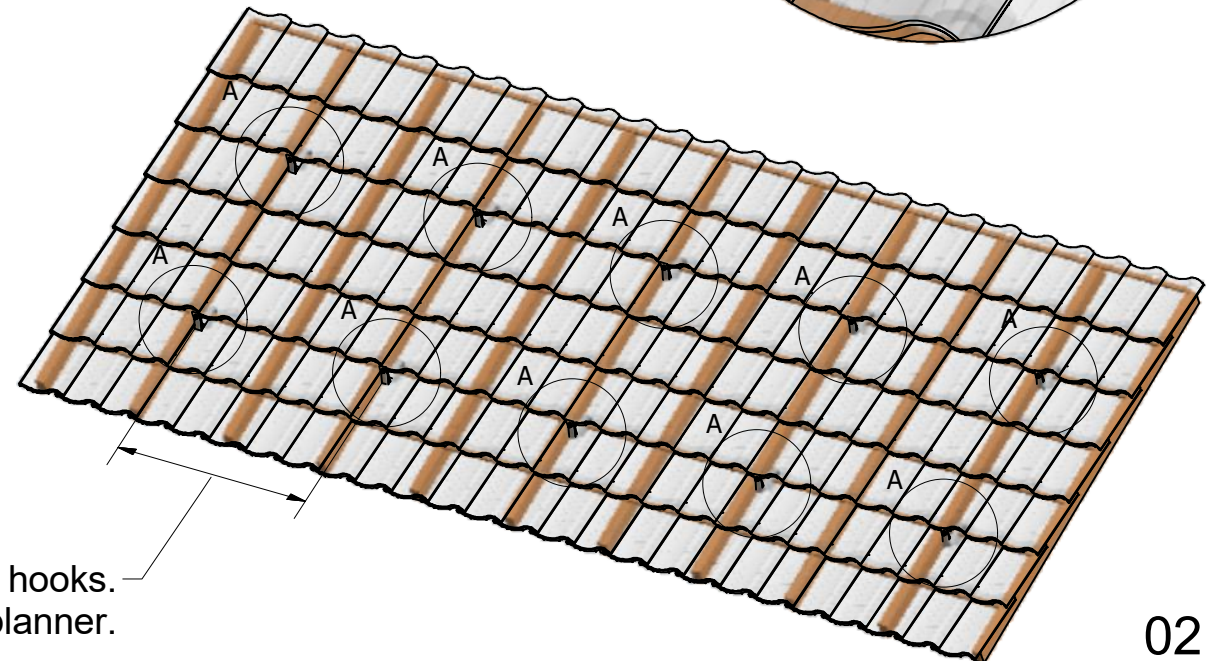
Detail A



Detail A

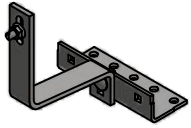


For the distance between the Slimline roof hooks.
See the Project Report of the ValkPVplanner.





Mounting of the Strongline roof hooks

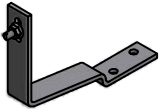


74.78.44 (horizontal profile)
74.78.45 (vertical profile)



77.33.60

Optional:



See page 1

Optional:

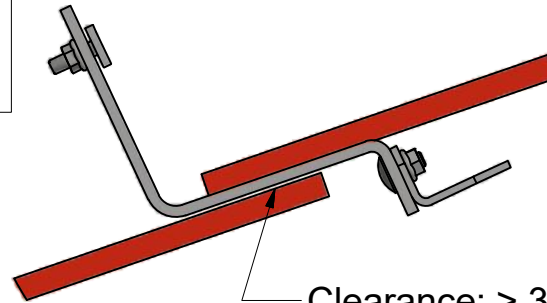


See page 2

Optional:

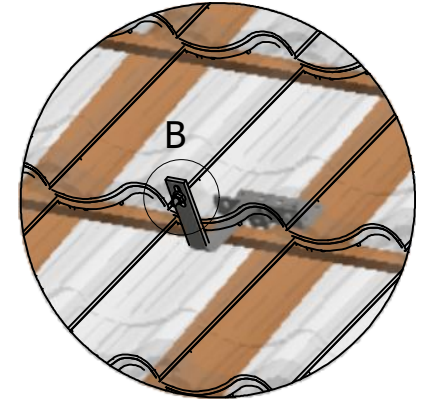
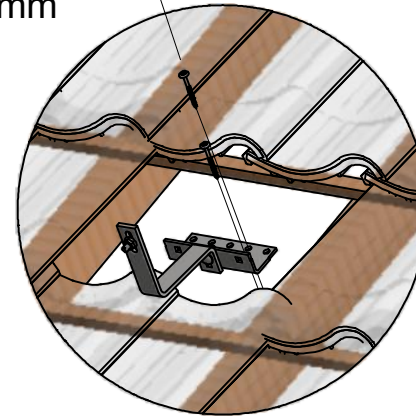


See page 4

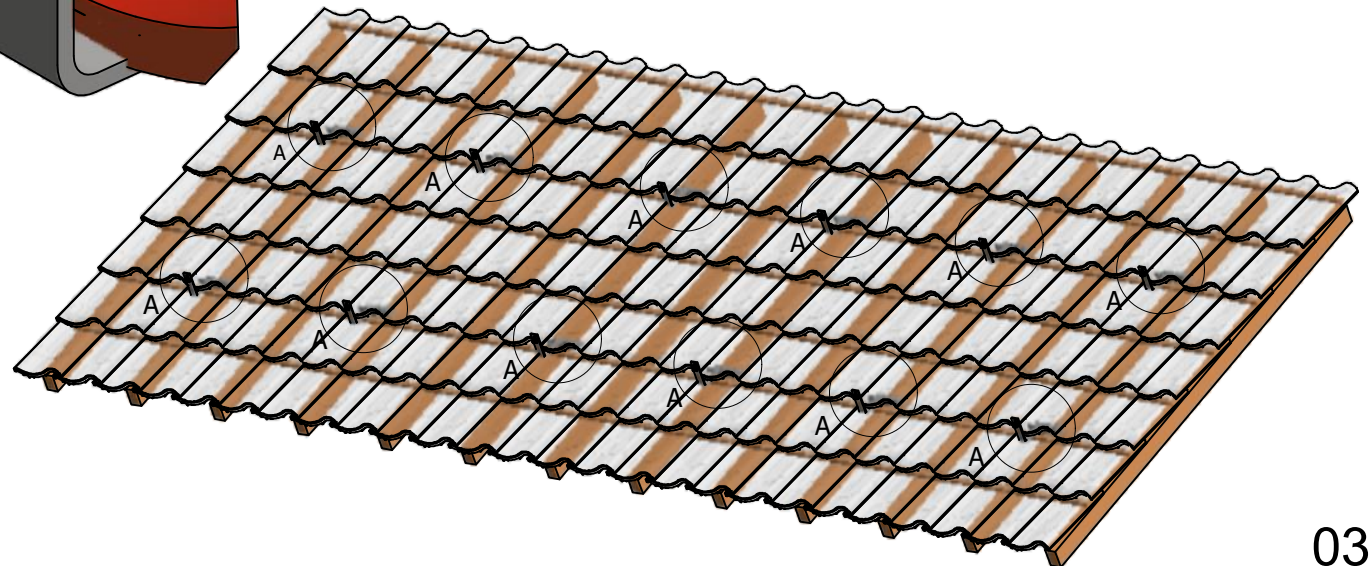
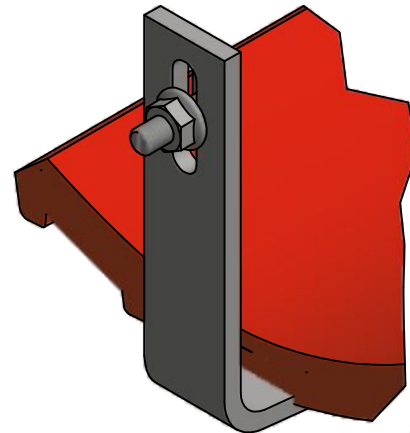


7Nm

Detail: A



Detail: B





Mounting the Hanger bolts

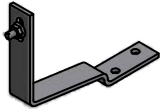


74.79.15 (M10x200)
74.79.17 (M10x250)



74.79.20 (M12x250)
74.79.22 (M12x350)

Optional:



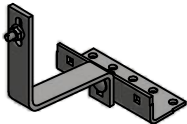
See page 1

Optional:



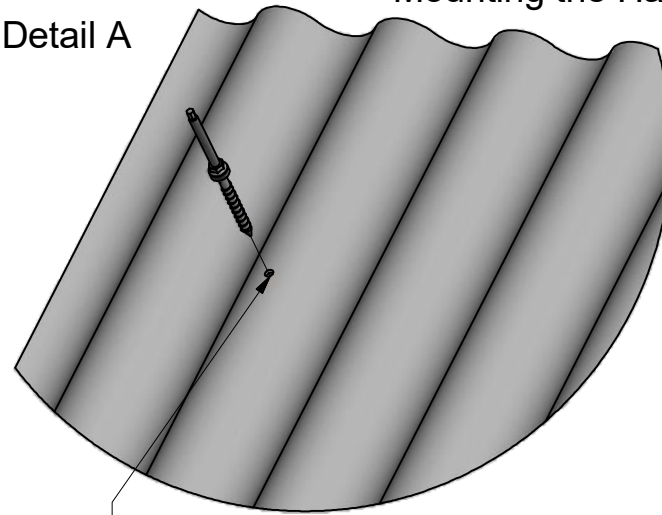
See page 2

Optional:



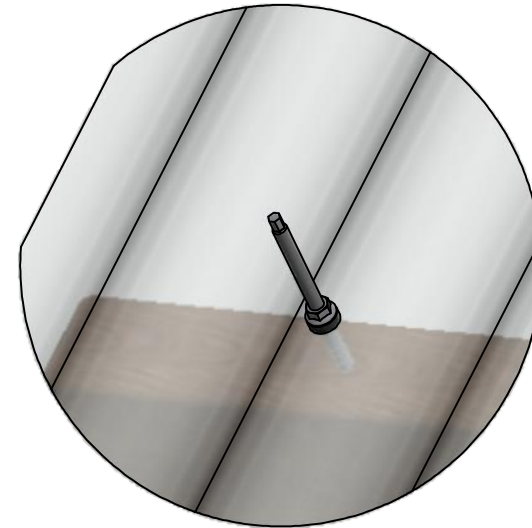
See page 3

Detail A

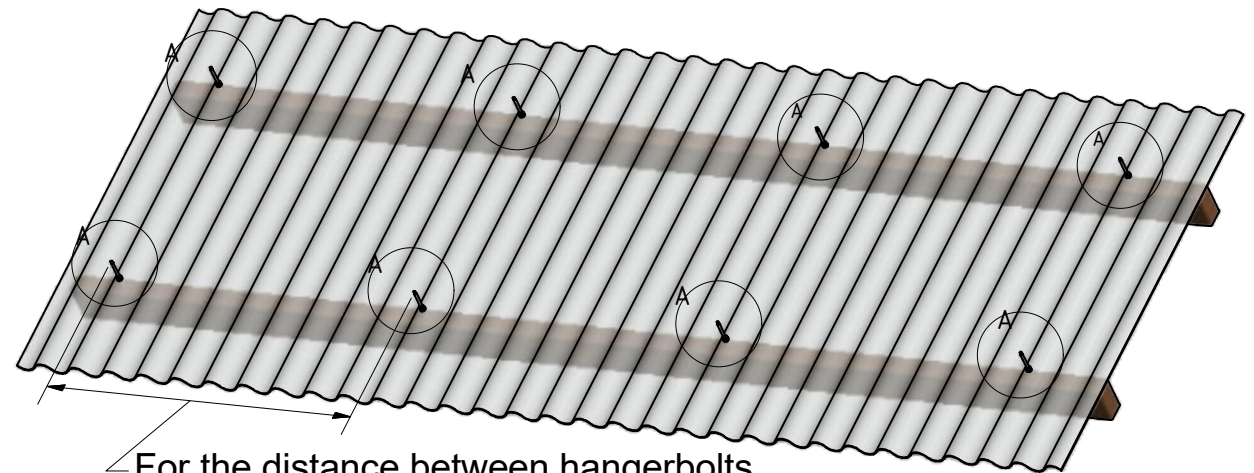


Drill hole for hanger bolts.
M10 : Hole size 10 mm in corrugated sheet
M12 : Hole size 12 mm in corrugated sheet

Detail A



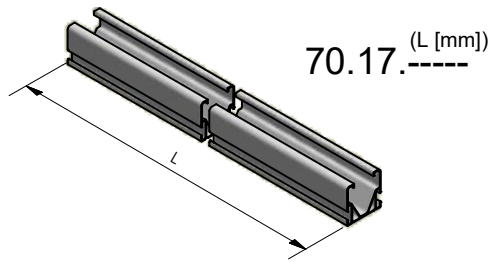
Pre drill in wood.
M10 : Hole size 7,0 mm
M12 : Hole size 8,4 mm



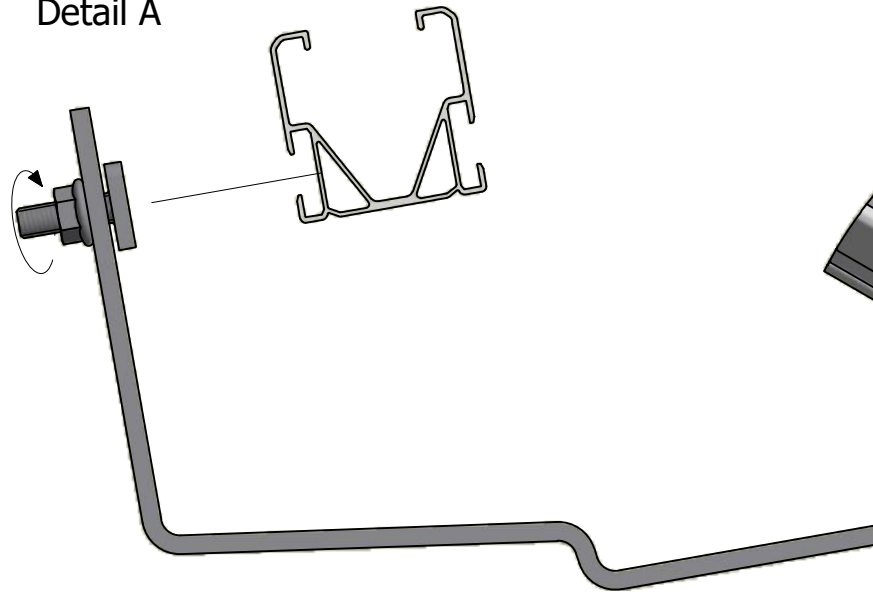
For the distance between hangerbolts.
See the Project Report of the ValkPVplanner.



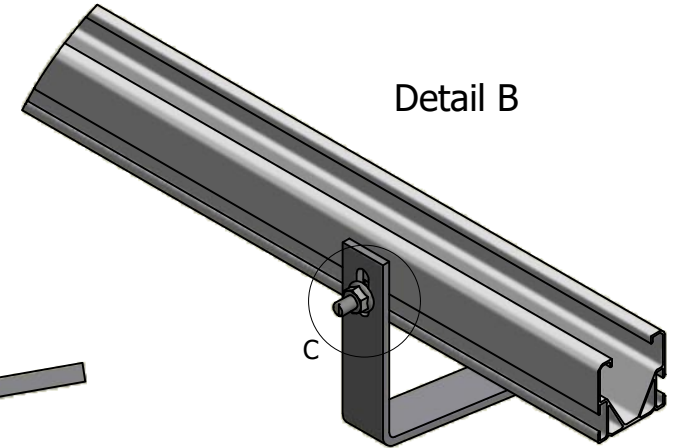
Mounting the Side++ profile



Detail A

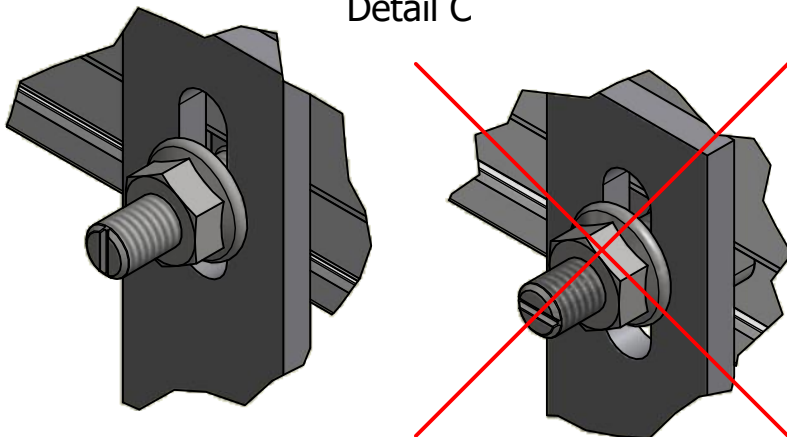


Detail B



The groove of the bolt corresponds with the orientation of the bolt head.

Detail C

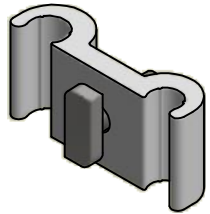


Mounting Side++ profile

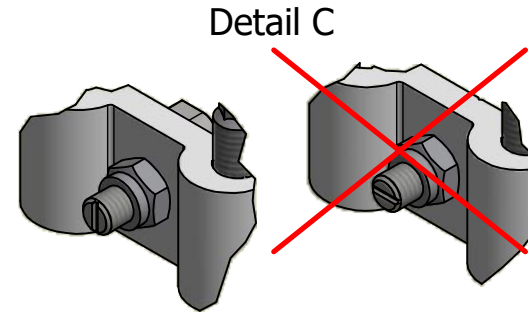
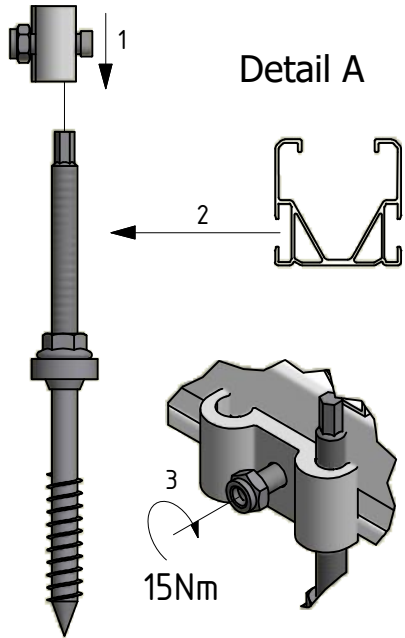
VAN DER VALK



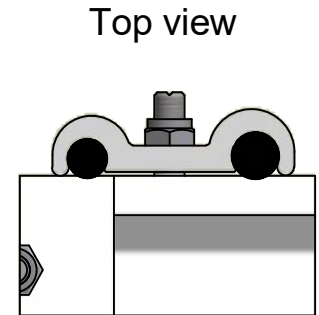
SOLAR SYSTEMS



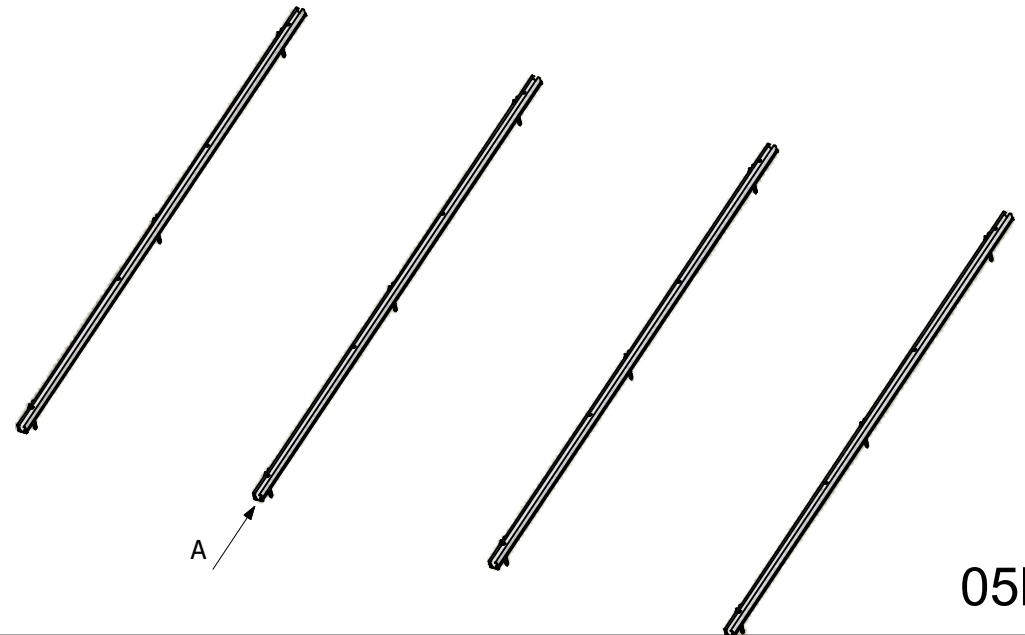
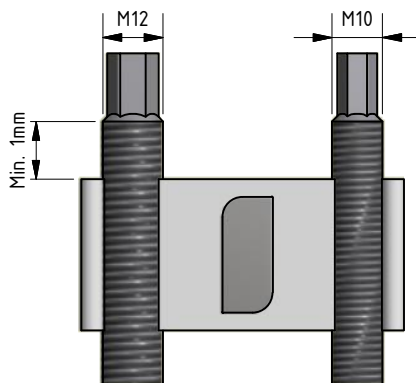
72.11.00



The groove of the bolt corresponds with the orientation of the bolt head.

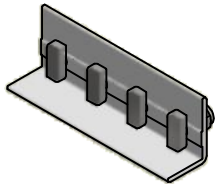


At least 1 mm thread above the clamp.



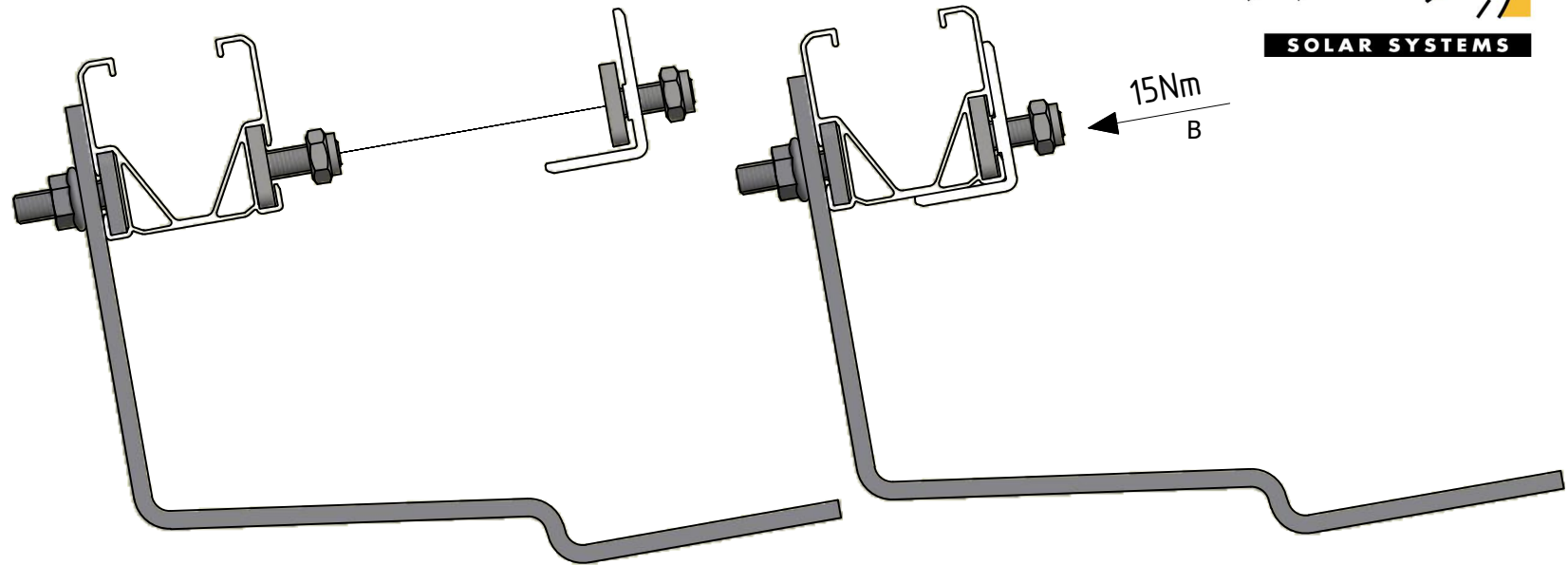
05B

Mounting the Side++ coupling



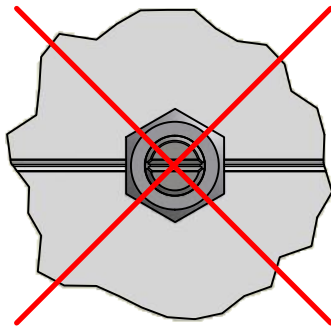
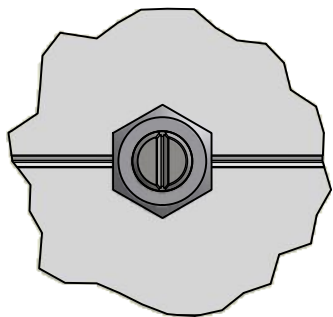
72.48.63

Detail A

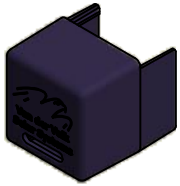


The groove of the bolt corresponds with the orientation of the bolt head.

Detail B

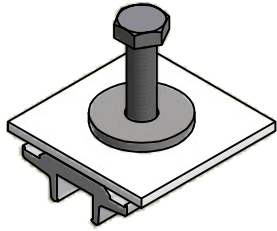


Optional:



73.90.52

Optional:



77.42.23

Optional:



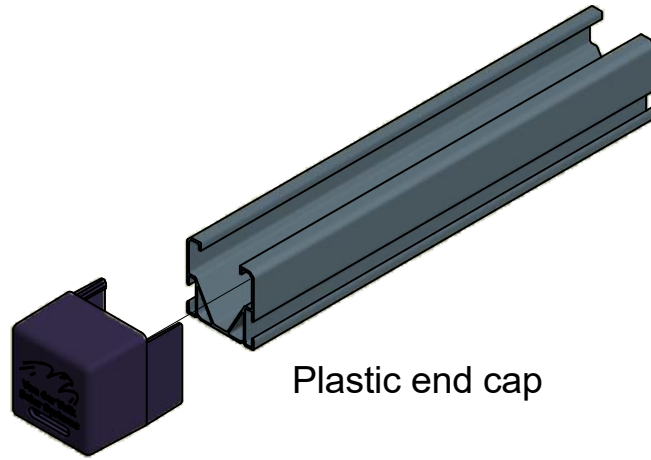
73.30.20

Mounting optional products

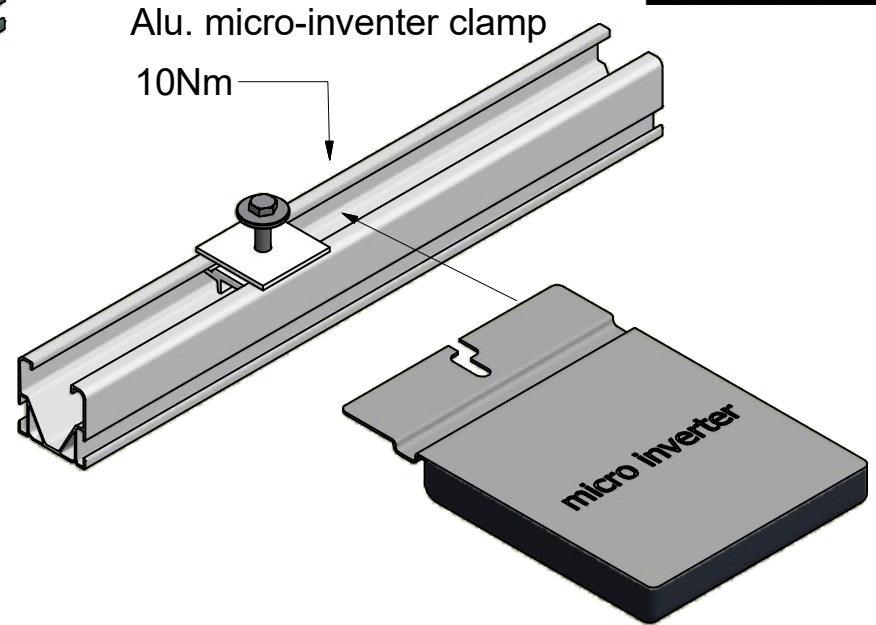
VAN DER VALK



SOLAR SYSTEMS



Plastic end cap

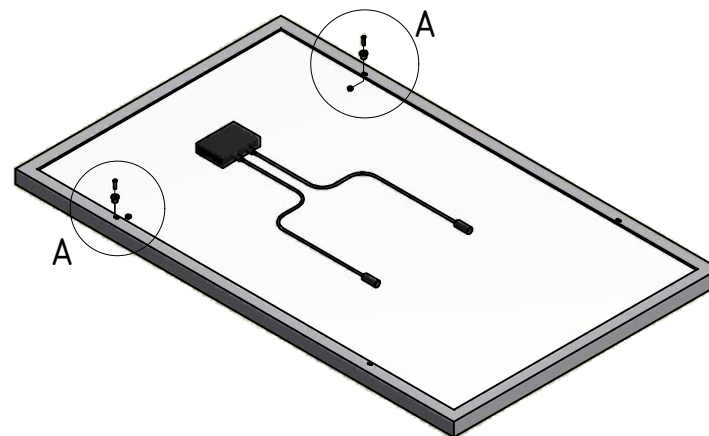


Alu. micro-inverter clamp

10Nm

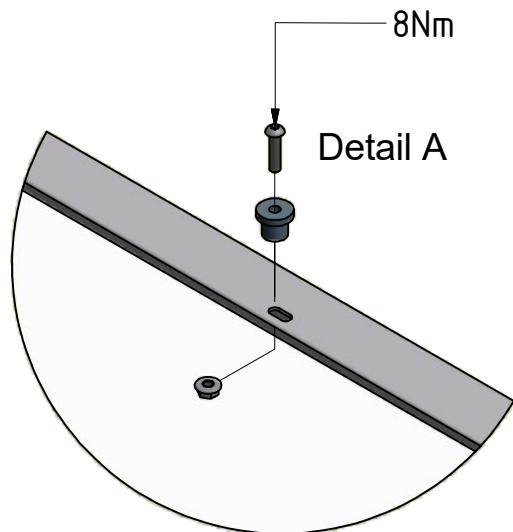
micro inverter

Plastic panel alignment pins



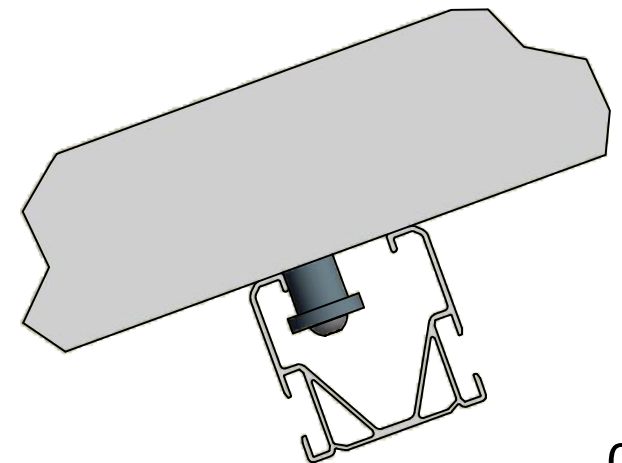
A

A

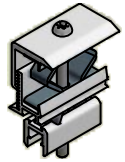


8Nm

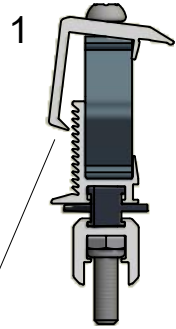
Detail A



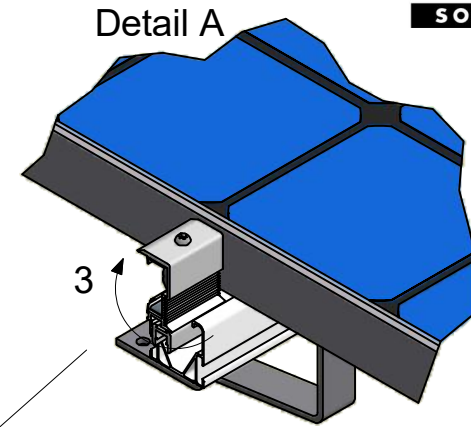
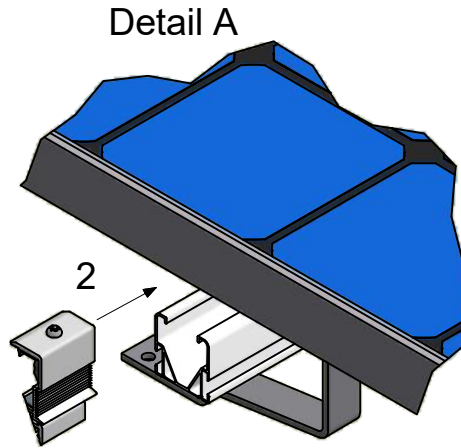
Mounting end clamps



72.15.52

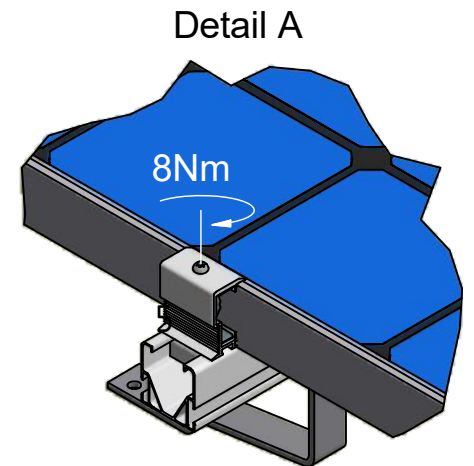
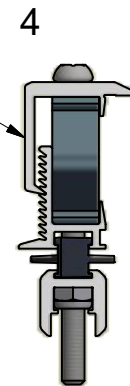
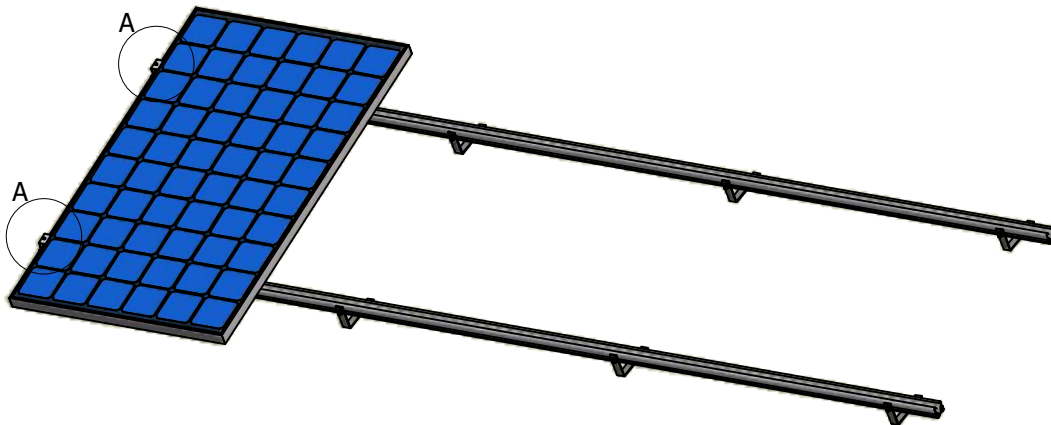


Take the end clamp out of it's slot to make the assembly easier.



The end clamp can only be turned clockwise.

Put the end clamp in the right slot to continue the assembly.





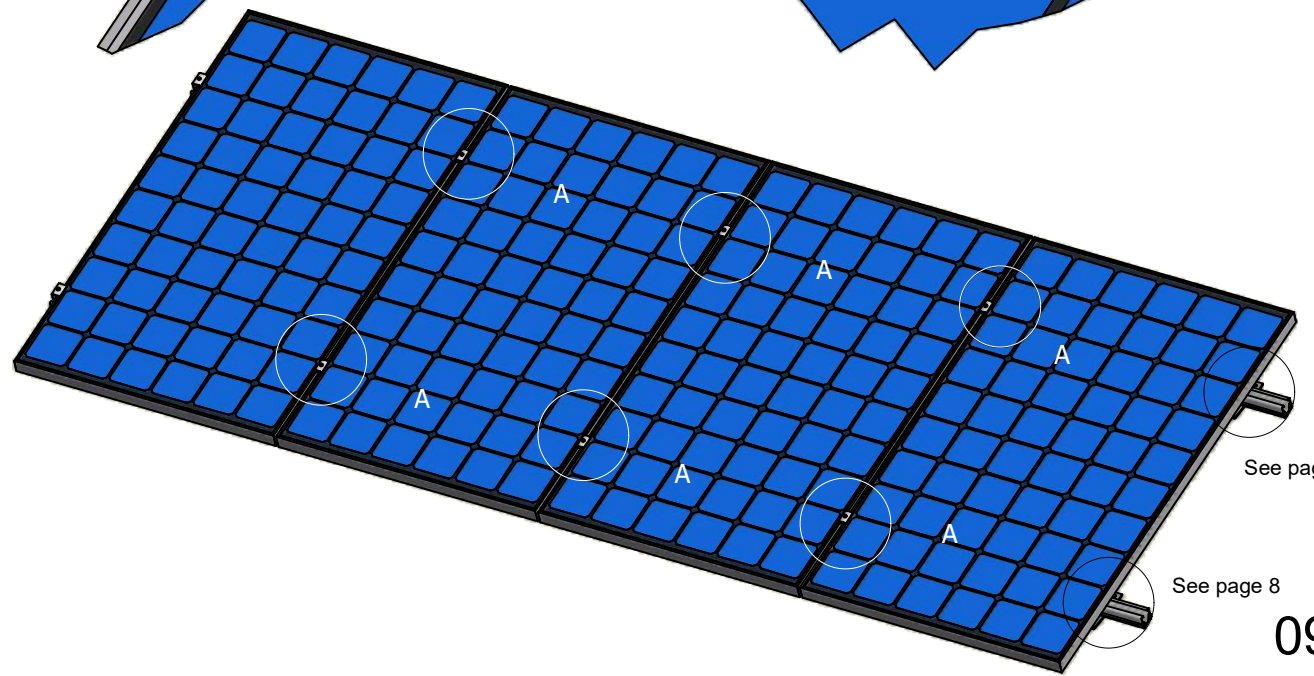
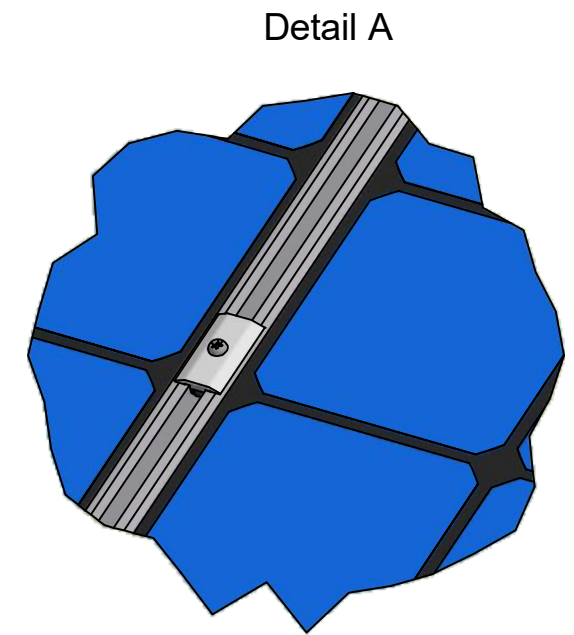
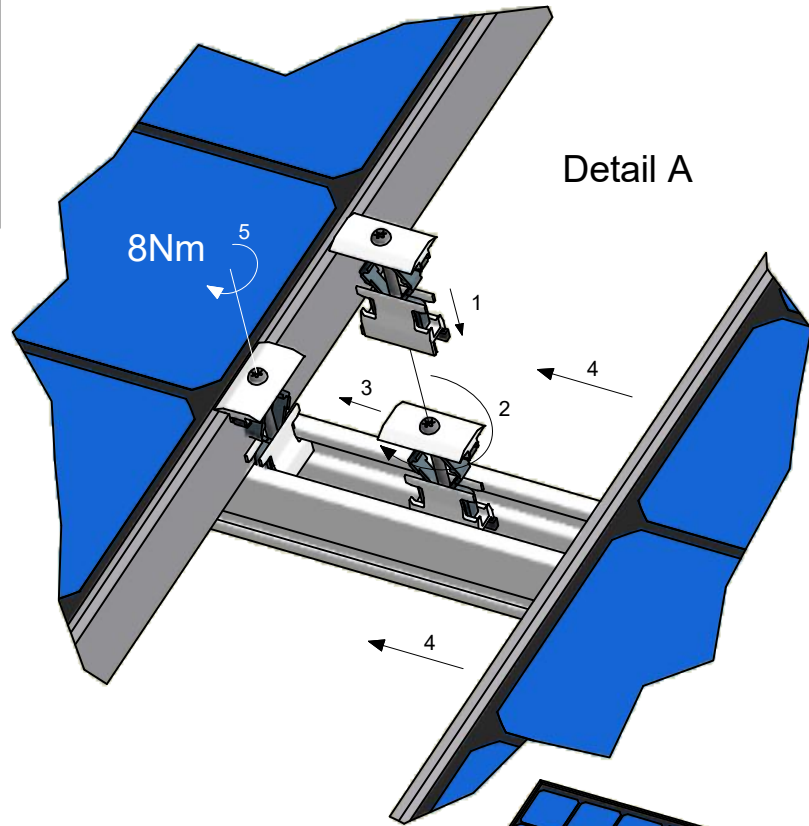
72.15.50

Mounting middle clamps

VAN DER VALK



SOLAR SYSTEMS



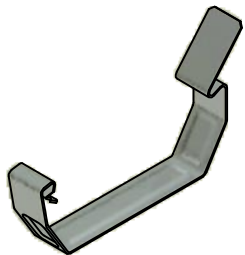
See page 8

See page 8

optional



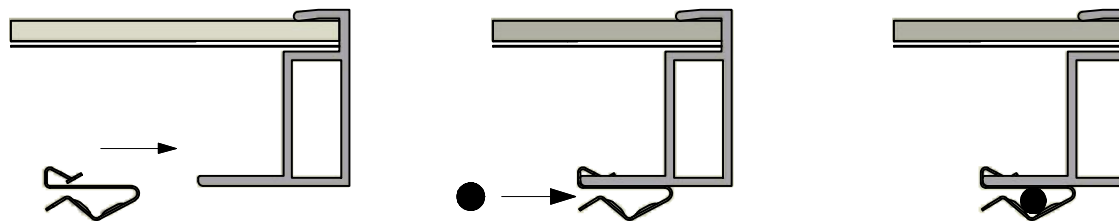
73.20.01
max. cable
diameter Ø9 mm



73.20.05
max. cable
diameter Ø9 mm

Mounting cable clamp

Mounting cable clamp on panel.

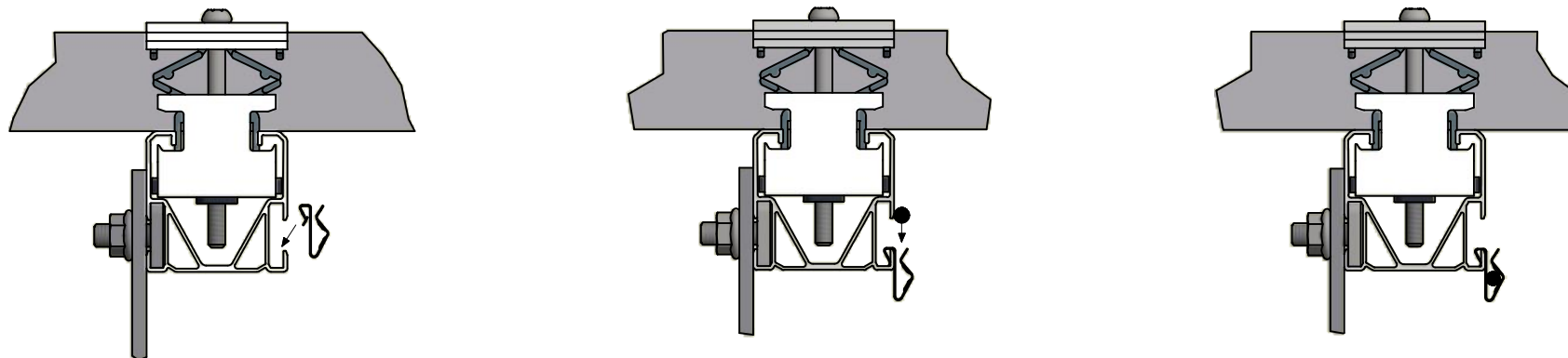


VAN DER VALK



SOLAR SYSTEMS

Mounting cable clamp on side++ profile.



Mounting cable clamp on side++ profile.

